



Micro Commercial Components

Micro Commercial Components  
 20736 Marilla Street Chatsworth  
 CA 91311  
 Phone: (818) 701-4933  
 Fax: (818) 701-4939

# BAS16WX

## High Speed Switching Diode 350mW

### Features

- High Conductance
- Fast Switching Speed
- Surface Mount Package Ideally Suited for Automatic Insertion
- For General Purpose Switching Applications
- Lead Free Finish/RoHS Compliant("P" Suffix designates RoHS Compliant. See ordering information)

### Mechanical Data

- Marking: A6/T4
- Case Material: Molded Plastic. UL Flammability Classification Rating 94V-0 and MSL Rating 1
- Polarity: Indicated by Cathode Band

### Maximum Ratings @ 25°C Unless Otherwise Specified

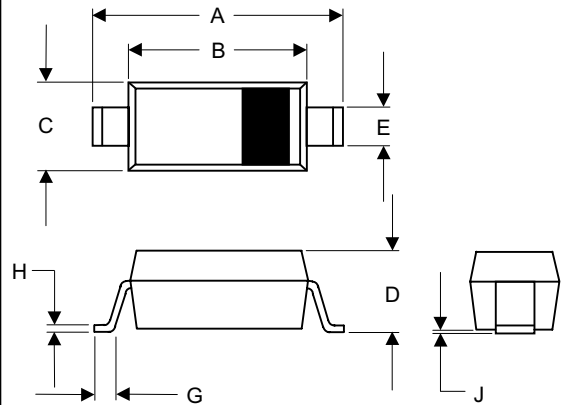
Non-Repetitive Peak Reverse Volt.	$V_{RM}$	85	V
Peak Repetitive Reverse Voltage	$V_{RRM}$	75	V
Working Peak Reverse Voltage	$V_{RWM}$		
DC Blocking Voltage	$V_R$		
RMS Reverse Voltage	$V_{R(RMS)}$	53	V
Forward Continuous Current(Note 1)	$I_{FM}$	200	mA
Average Rectified Output Current	$I_o$	100	mA
Non-Repetitive Peak @ $t \leq 1.0s$	$I_{FSM}$	2	A
Forward Surge Current @ $t = 10\mu s$		1	
Power Dissipation(Note 1)	$P_d$	350	mW
Thermal Resistance(Note 1)	R	315	K/W
Operation/Storage Temp. Range	$T_j, T_{STG}$	-55 to +150	°C

### Electrical Characteristics @ 25°C Unless Otherwise Specified

Maximum Forward Voltage Drop	$V_{FM}$	0.715	V	$I_F = 1.0mA$		
		0.855			$I_F = 10mA$	
		1				$I_F = 50mA$
		1.25				
Maximum Peak Reverse Current	$I_{RM}$	1.0	uA	$V_R = 75V T_j = 25^\circ C$		
		50		$V_R = 75V T_j = 150^\circ C$		
Junction Capacitance	$C_j$	2	pF	$V_R = 0V, f = 1.0MHz$		
Reverse Recovery Time	$t_{rr}$	6	ns	$I_F = I_R = 10mA, I_{rr} = 0.1I_R, R_L = 100 OHM$		

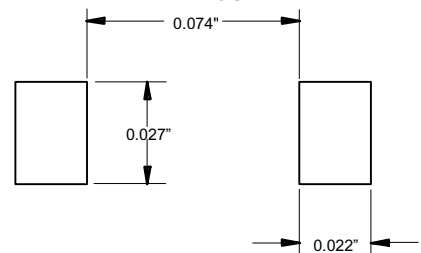
Notes: 1. Valid provided that terminals are kept at ambient temperature

### SOD323



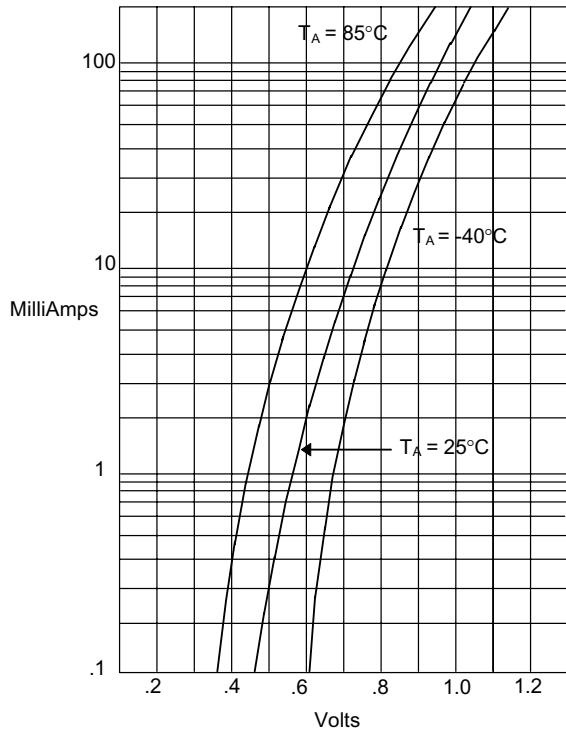
DIM	INCHES		MM		NOTE
	MIN	MAX	MIN	MAX	
A	.090	.107	2.30	2.70	
B	.063	.071	1.60	1.80	
C	.045	.053	1.15	1.35	
D	.031	.045	0.80	1.15	
E	.010	.016	0.25	0.40	
G	.004	.018	0.10	0.45	
H	.004	.010	0.10	0.25	
J	-----	.006	-----	0.15	

#### SUGGESTED SOLDER PAD LAYOUT



# BAS16WX

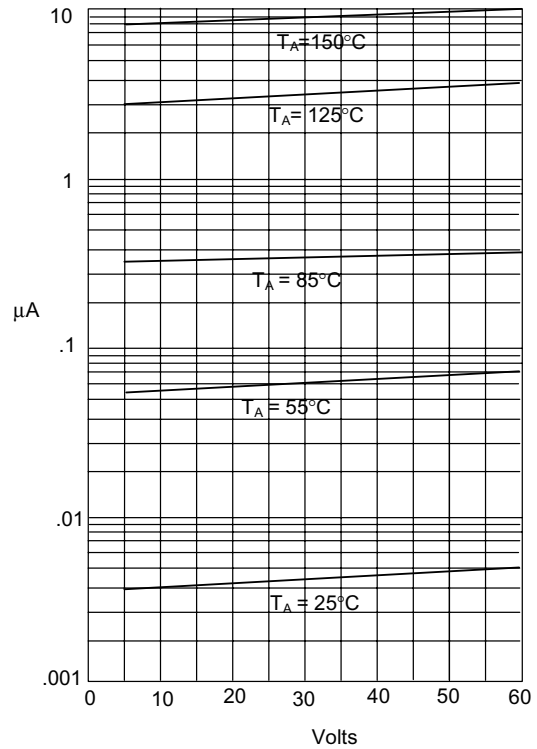
Figure 1  
Typical Forward Characteristics



Instantaneous Forward Current - Amperes *versus*  
Instantaneous Forward Voltage - Volts

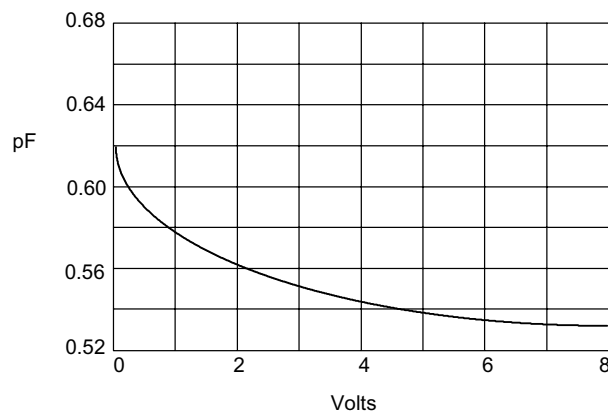
Figure 2

Typical Reverse Characteristics



Instantaneous Reverse Current - MicroAmperes *versus*  
Reverse Voltage - Volts

Figure 3  
Diode Capacitance



Diode Capacitance - pF *versus*  
Reverse Voltage - Volts



Micro Commercial Components

### Ordering Information

Device	Packing
(Part Number)-TP	Tape&Reel;3Kpcs/Reel

**\*\*\*IMPORTANT NOTICE\*\*\***

*Micro Commercial Components Corp.* reserves the right to make changes without further notice to any product herein to make corrections, modifications , enhancements , improvements , or other changes . *Micro Commercial Components Corp.* does not assume any liability arising out of the application or use of any product described herein; neither does it convey any license under its patent rights ,nor the rights of others . The user of products in such applications shall assume all risks of such use and will agree to hold *Micro Commercial Components Corp.* and all the companies whose products are represented on our website, harmless against all damages.

**\*\*\*APPLICATIONS DISCLAIMER\*\*\***

Products offer by *Micro Commercial Components Corp.* are not intended for use in Medical, Aerospace or Military Applications.